



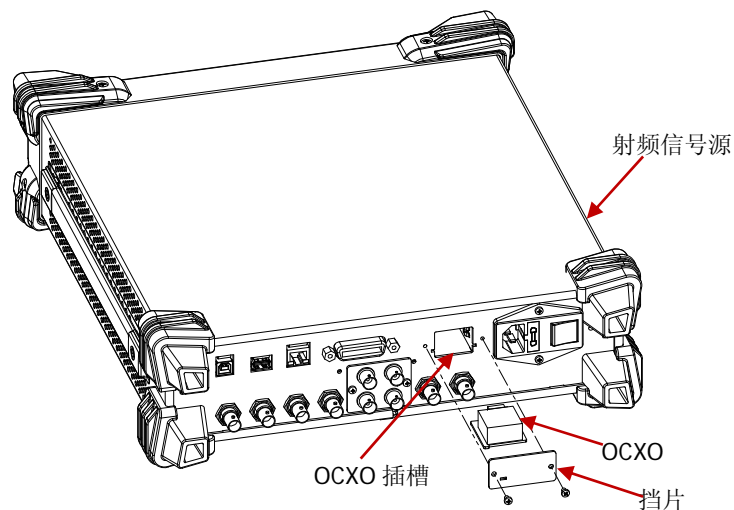
OCXO-DSG3000 参考时钟

产品简介

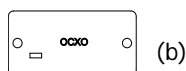
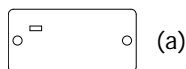
OCXO 为恒温晶体振荡器 (Oven Controlled Crystal Oscillator)，用于配合 **RIGOL** DSG3000 系列射频信号源使用，可提供更高温度稳定度的频率参考源，其输出频率为 10 MHz。

安装步骤

OCXO 与射频信号源的连接方式如下图所示。



1. 使用螺丝刀拆卸 DSG3000 后面板上的 OCXO 挡片，如右图(a)所示。
2. 将 OCXO 按上图所示方向插入选件插槽内，并确保其紧固连接。
3. 将挡片带有“OCXO”字样的一面朝外，如右图(b)所示。
使用两颗螺钉固定挡片。



警告

为避免电击，安装选件之前，请确保仪器已关闭并且已断开与电源的连接。



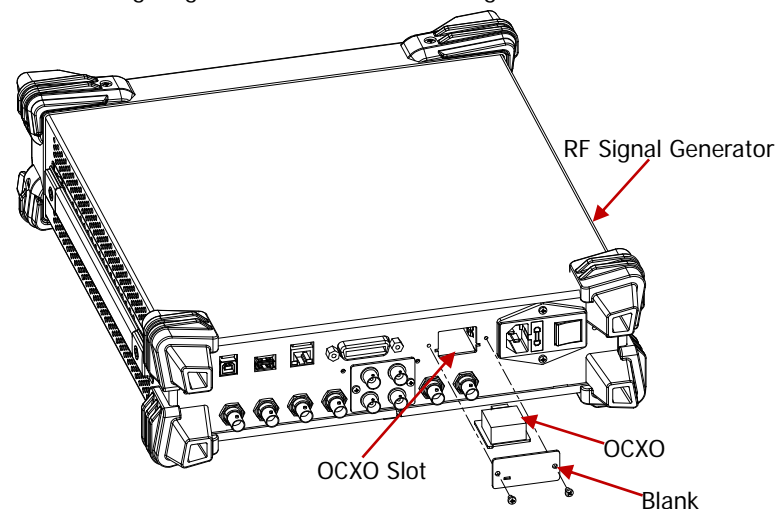
OCXO-DSG3000 Reference Clock

Product Overview

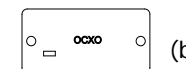
OCXO is Oven Controlled Crystal Oscillator. It is used in combination with the **RIGOL** DSG3000 series RF signal generator and can provide frequency reference source with higher temperature stability. Its output frequency is 10 MHz.

Installation Steps

Connect OCXO to the RF signal generator as shown in the figure below.



1. Disassemble the OCXO blank on the rear panel of DSG3000 using a screwdriver, as shown in figure (a) on the right.
2. Insert the OCXO into the slot in the direction as shown in the figure above and make sure that it is firmly connected.
3. Fix the blank with the surface marked with "OCXO" facing outwards (as shown in figure (b)) using two screws.



WARNING

To avoid electric shock, make sure that the instrument is turned off and the power supply is disconnected before installing the option.